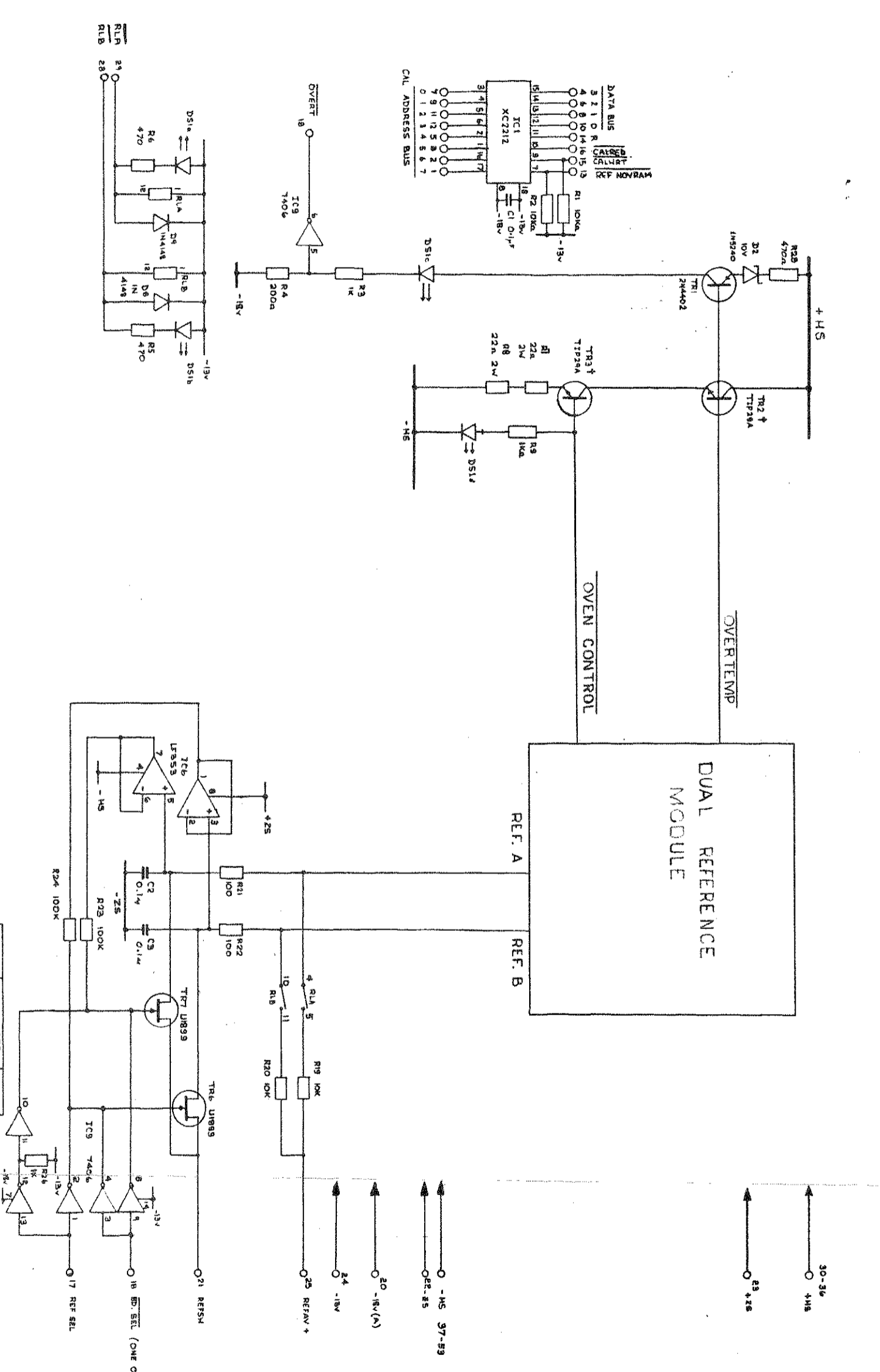


ECO	LTN	DESCRIPTION	DATE	APPROVED



FIRST USED	NOT USED	LAST USED	TOLERANCES	MATERIAL	DRAWN BY	DATE
RV1	-	RV1	X = ±.30'			
C1	-	C6	.X1 = ±.03			
DE	D3, D4, D5	D10	.X11 = ±.010			
DS1	-	DS1				
IC1	-	IC2				
RI	-	R26				
TR1	-	TR7				
RLA	-	RLB				

FINISH	BREAK ALL SHARP CORNERS AND EDGES. MACH SURFACES	FINISH

CODE	IDENT	SIZE	DRAWING NO	REV
53504	D	2720-574		A

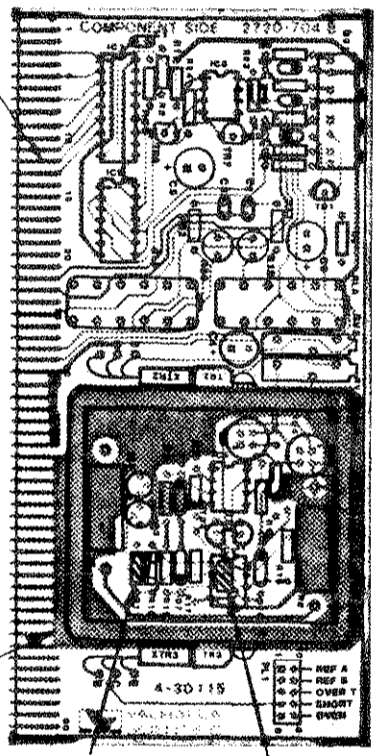
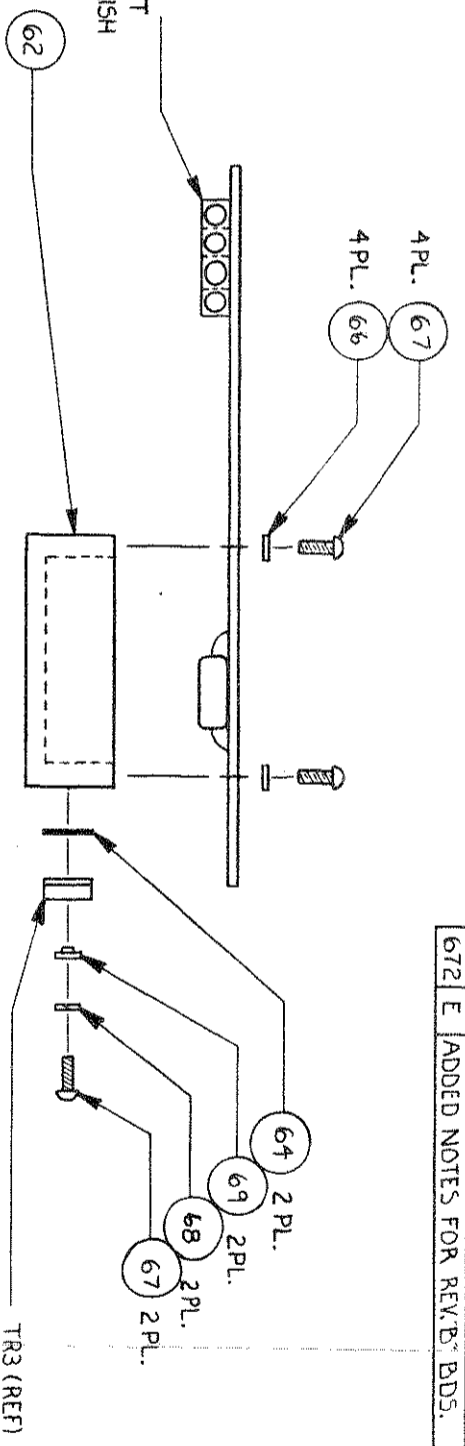
REFERENCE MODULE

Valhalla Scientific Inc.
SAN DIEGO, CA

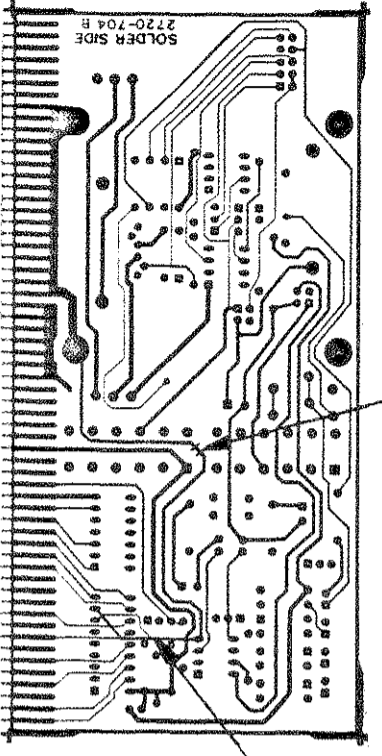
REVISIONS				
ECO	LTR	DESCRIPTION	DATE	APPROVED
341	D	UPDATED / REDRAWN	DPM-1 125-85	R.O.
672	E	ADDED NOTES FOR REV.'B' BDS.	DPM 2-20-85	R.O.

NOTES:
 1. NO COMPONENTS CAN PROTRUDE MORE THAN .75 FROM PCB.
 2. COMPONENTS INSIDE ITEM (62 (HEAT SHIELD) TO BE AS CLOSE TO PCB AS POSSIBLE.

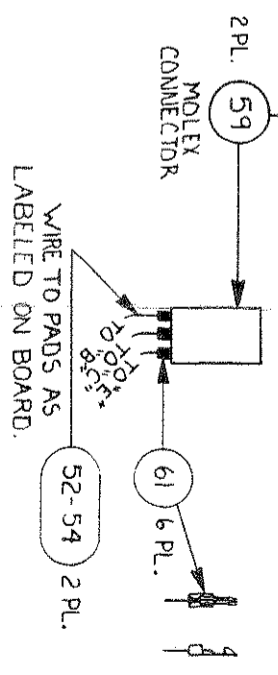
IF SINGLE HOUSINGS ARE USED ENSURE UNIFORM ALIGNMENT AND POSITION (FLUSH TO PCB)



REVISION 'B' BOARDS ONLY
 CUT TRACK ON THE PCB IN THIS AREA



REVISION 'B' BOARDS ONLY
 JUMPER PIN 4 OF IC6 TO PIN 8 OF IC1 USING KYNAR WIRE.



DASH NO	QTY	RECD	NEXT ASSEMBLY	USED ON	TOLERANCES	MATERIAL	FINISH
					X = ± .30'		
					.XX = ± .03		
					.XXX = ± .010		

DRAWN DPM 125-85
 CHECKED SW 126/85
 APPR RJD 128/85
 STK NO _____
 SCALE 1:1
 SHEET 4 OF 4
 CODE IDENT 53504
 SIZE C
 DRAWING NO 7720-604
 REV E

Valhalla Scientific Inc.
 SAN DIEGO CA
 2720 REFERENCE PCB ASSEMBLY